

# FICHE D'HOMOLOGATION / HOMOLOGATION FORM

042-CA-18



COMMISSION  
INTERNATIONALE  
DE KARTING - FIA



## CARBURATEUR / CARBURETTOR OK-Junior




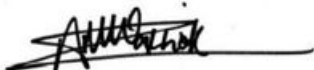


Constructeur / <i>Manufacturer</i>	Tillotson Ltd.
Marque / <i>Make</i>	<b>Tillotson</b>
Modèle / <i>Model</i>	<b>HC-118</b>
Catégorie / <i>Categorie</i>	Group 2
Durée de l'homologation / <i>Validity of the Homologation</i>	3 ans / 3 years
Nombre de pages / <i>Number of pages</i>	6
La présente Fiche d'Homologation reproduit descriptions, illustrations et dimensions du carburateur au moment de l'homologation CIK-FIA.	<i>This Homologation Form reproduces descriptions, illustrations and dimensions of the carburettor at the moment of the CIK-FIA homologation.</i>
	
Photo côté aspiration / <i>Photo of inlet side</i>	Photo côté réglage / <i>Photo of adjusting side</i>
Signature et tampon de l'ASN / <i>Signature and stamp of the ASN</i>	Signature et tampon de la CIK-FIA / <i>Signature and stamp of the CIK-FIA</i>
 	 

Photo vue arriere / Photo view from behind

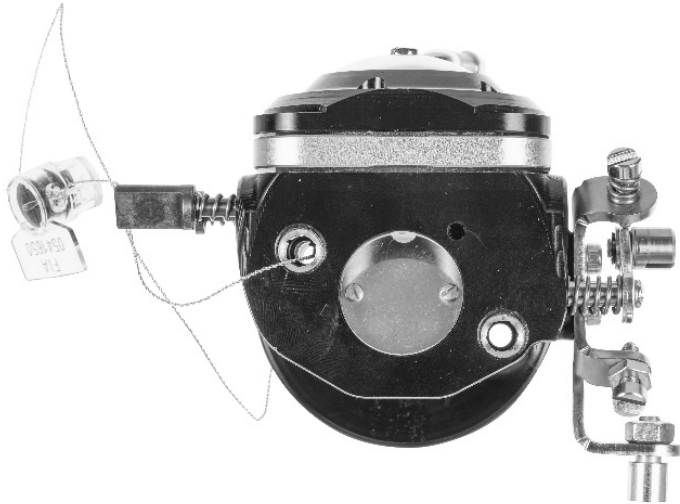


Photo côté oppose réglage / Photo opposite to adjusting side



Photo vue de dessus / Photo view from above

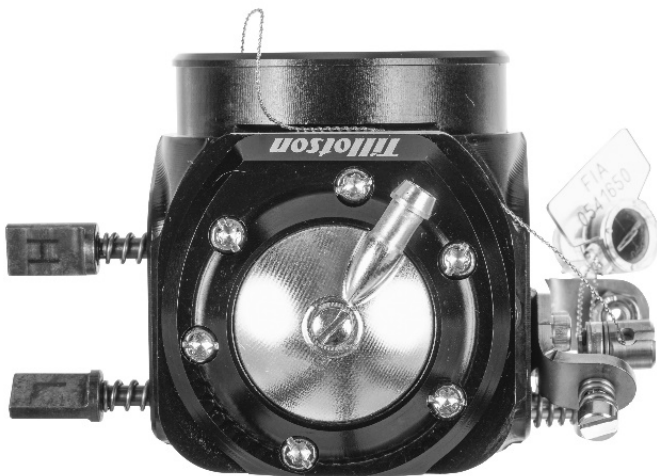


Photo vue de dessous / Photo view from underneath



042-CA-18

Photo vue de dessus / *Photo view from above (body)*

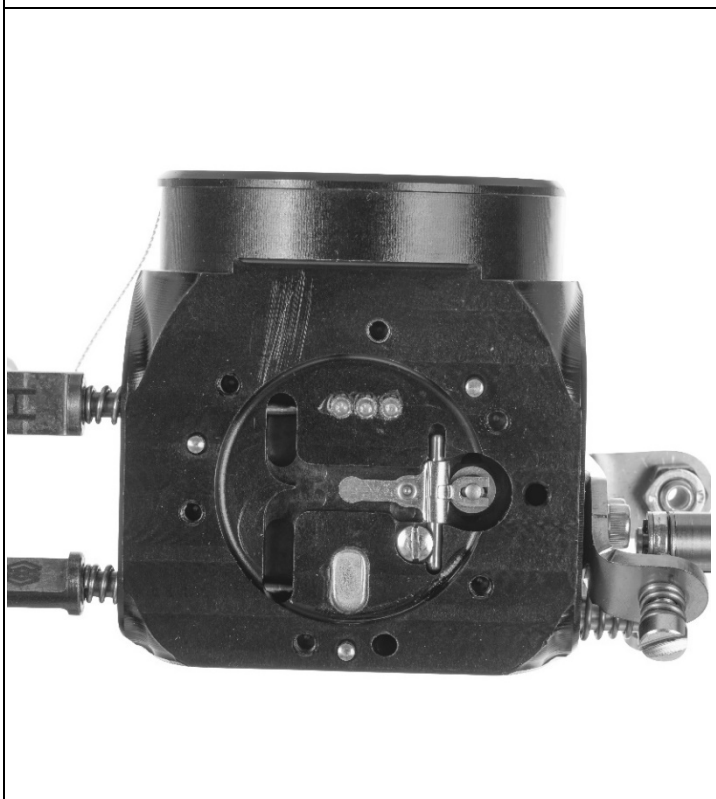
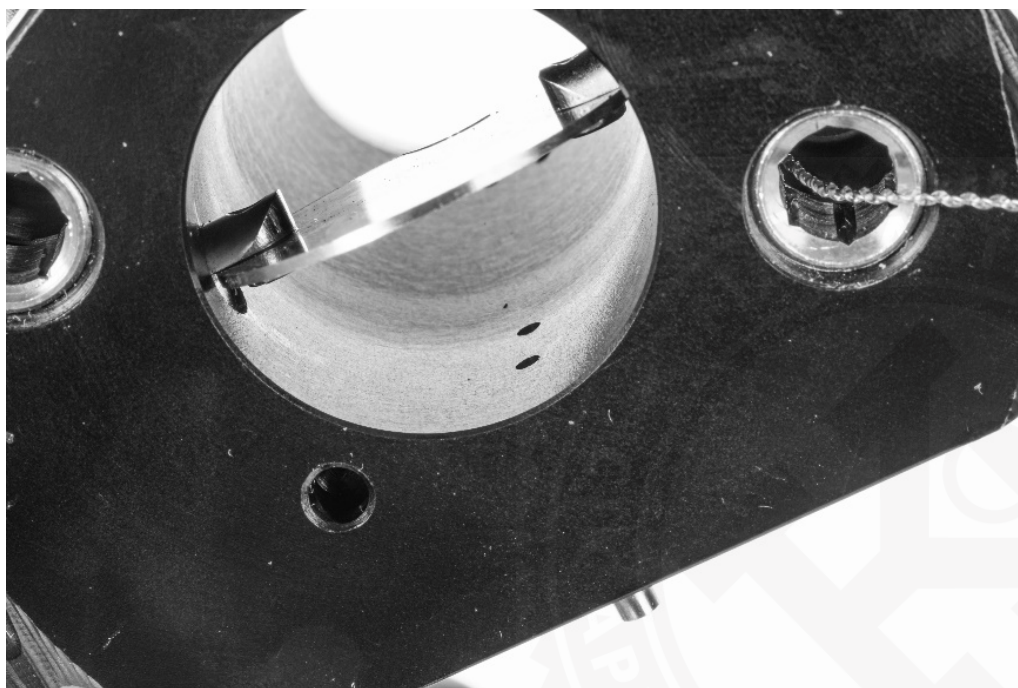


Photo côté aspiration (vue additionnelle) / *Photo of inlet side (additional view)*

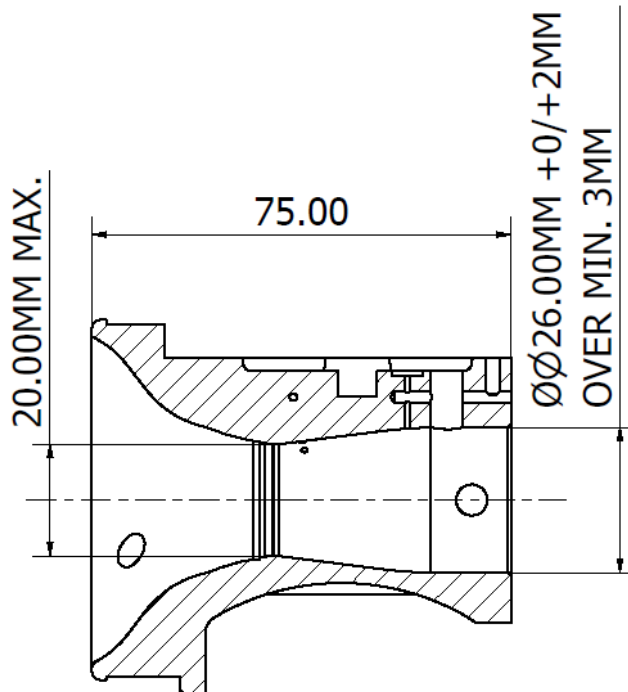


Photo vue arriere (vue additionnelle) / *Photo view from behind (additional view)*

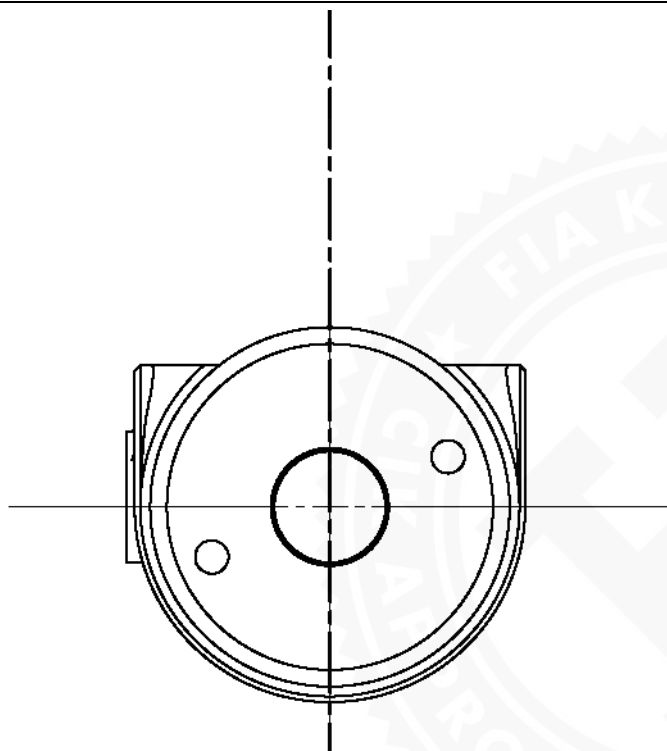


**Vue en section conduit d'aspiration /  
Inlet port section view**

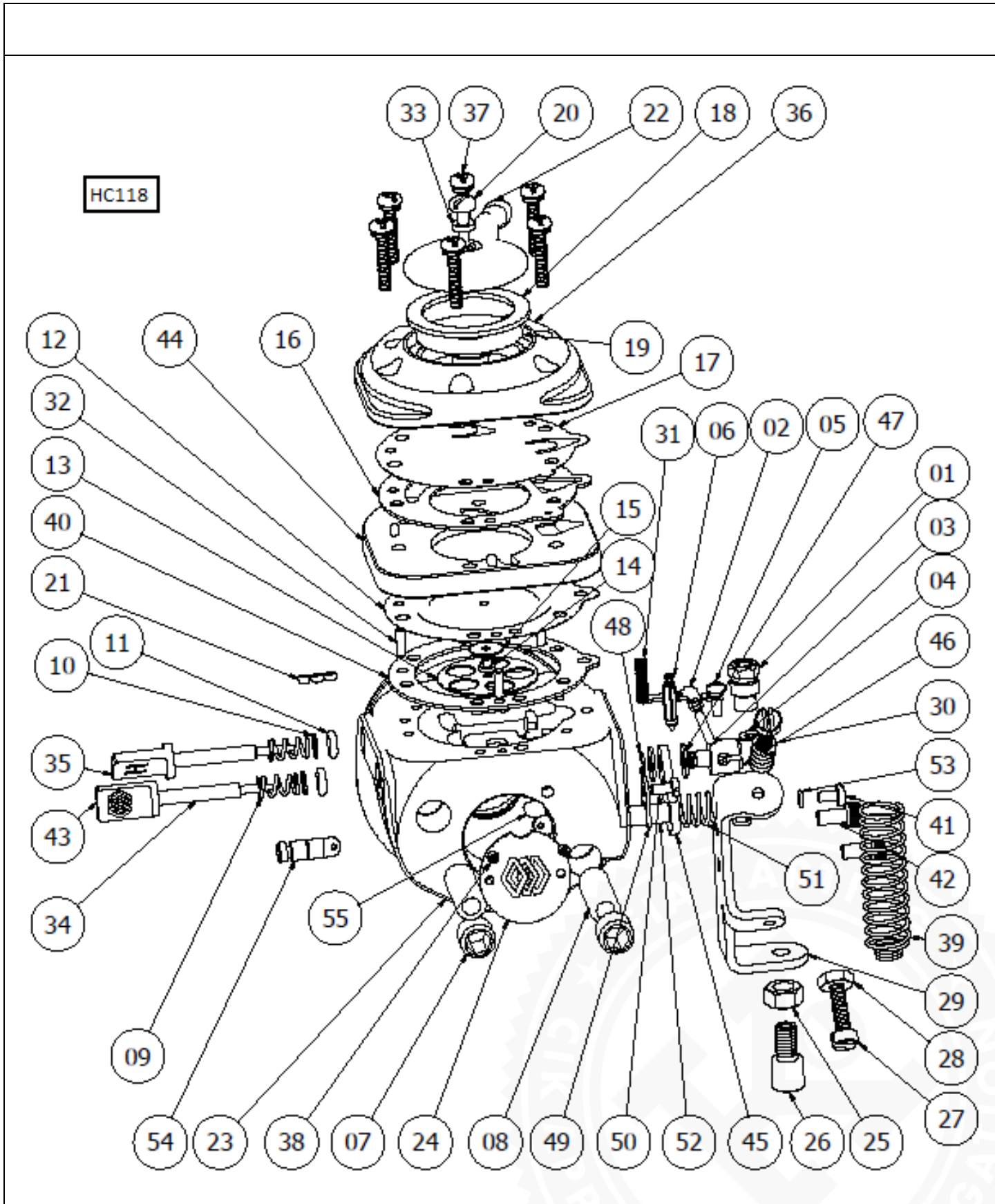
Echelle 1:1 / 1:1 Scale

**Vue de face côté aspiration /  
Inlet side front view**

Echelle 1:1 / 1:1 Scale







Description du carburateur et esquisse des pièces / *Carburettor description and sketch of parts*

HC118

PARTS LIST	
ITEM	DESCRIPTION
01	* INLET SEAT
02	* INLET VALVE CONTROL LEVER
03	FULCRUM LEVER PIN
04	* COPPER GASKET, INLET SEAT
05	FULCRUM LEVER SCREW
06	+ INLET NEEDLE
07	RETAINING NUT
08	CARBURETTOR MOUNTING NUT
09	ADJUSTMENT SCREW SPRING
10	ADJUSTMENT SCREW WASHER
11	ADJUSTMENT SCREW O-RING
12	DIAPHRAGM
13	DIAPHRAGM PLATE
14	DIAPHRAGM BUTTON
15	WASHER
16	*+ PUMP GASKET
17	FUEL PUMP DIAPHRAGM
18	*+ STRAINER GASKET
19	FUEL STRAINER SCREEN
20	COVER SCREW
21	BRASS PLUG
22	FUEL STRAINER COVER
23	MACHINED BODY
24	THROTTLE SHUTTER
25	M6 X 1 NUT
26	M6 X 1 CABLE HOUSING SCREW
27	LIMITER SCREW
28	8 - 32 UNC NUT
29	CABLE BRACKET
30	SPEED CREW SPRING
31	INLET TENSION SPRING 42g
32	PIN
33	NYLON WASHER
34	M4 X 0.5 ADJUSTMENT SCREW
35	ADJUSTMENT SCREW CAP H
36	PUMP COVER
37	6 - 32 UNC SCREW
38	M2 X .4 SCREW
39	CABLE RETURN SPRING
40	METERING GASKET
41	LEVER SCREW
42	M4 X 0.7 SOCKET CAP SCREW
43	ADJUSTMENT SCREW CAP L
44	METERING COVER
45	THROTTLE LEVER
46	CABLE CONNECTOR
47	WASHER
48	E-CLIP
49	THROTTLE SHAFT CLIP
50	4-40 UNC SCREW
51	THROTTLE RETURN SPRING
52	SPLIT THROTTLE SHAFT
53	O-RING
54	SPLIT THROTTLE SHAFT SHORT
55	WELCH PLUG

**Substitutions sont autorisées uniquement avec les pièces originales TILLOTSON /  
Replacement is allowed only with TILLOTSON original parts**